

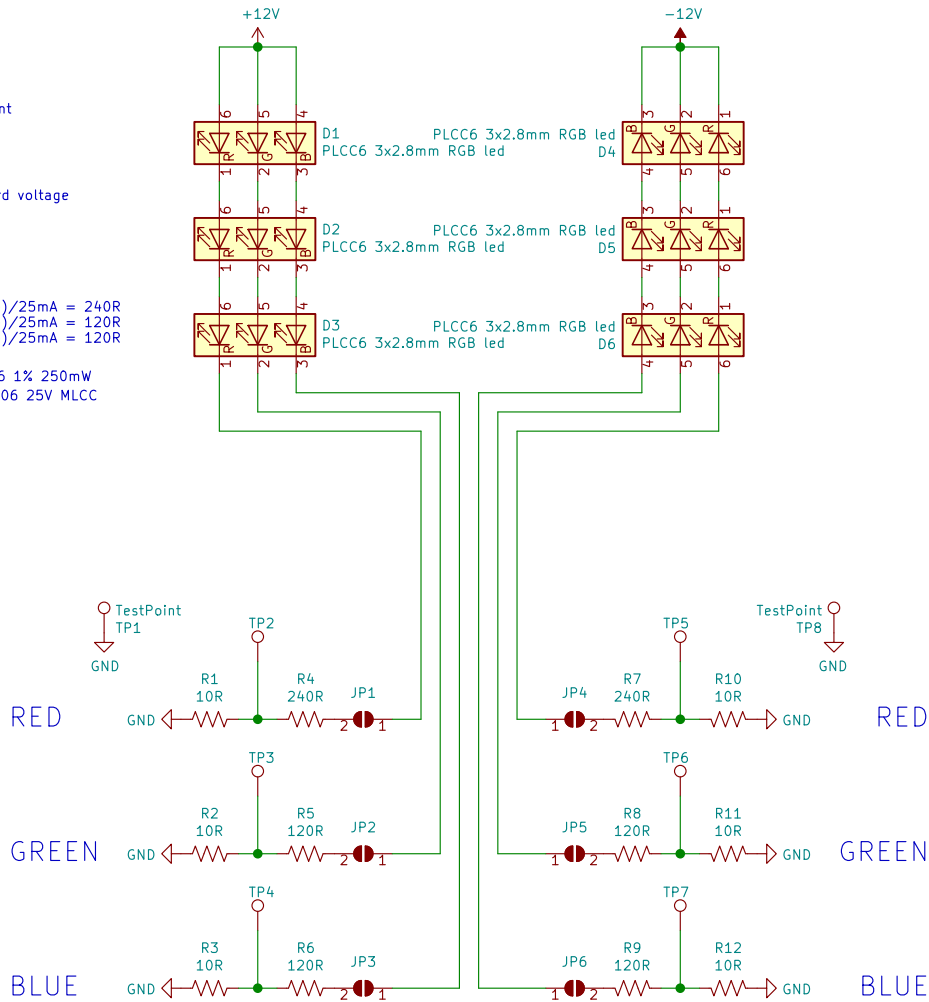
If you're sourcing this project yourself, make sure to read the datasheet of the RGB leds as the order of the colors may differ. The diode voltages may differ as well, so please make sure to do your own calculations for the values of the current limiting resistors.

Max. Diode current  
 R 30mA  
 G 30mA  
 B 30mA

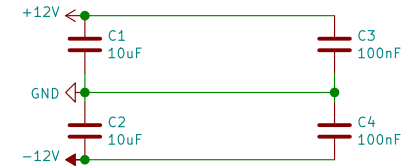
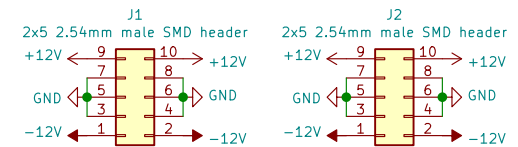
Typ. Diode forward voltage  
 R 2V  
 G 3V  
 B 3V

Rmin  
 $R = (12V - (3 \times 2V)) / 25mA = 240R$   
 $G = (12V - (3 \times 3V)) / 25mA = 120R$   
 $B = (12V - (3 \times 3V)) / 25mA = 120R$

All resistors 1206 1% 250mW  
 All capacitors 1206 25V MLCC



10R Current measurement resistors  
 10V/A  
 1V/100mA  
 100mV/10mA  
 10mV/mA



- GRAPHICS1 illuminated\_blank\_10hp:crazy-tom-10hp-fs
- GRAPHICS FMASK illuminated\_blank\_10hp:crazy-tom-10hp-fs
- GRAPHICS2 illuminated\_blank\_10hp:crazy-tom-10hp-fc
- GRAPHICS FCU illuminated\_blank\_10hp:crazy-tom-10hp-fc
- H1 MountingHole illuminated\_blank\_10hp:M3-slot-5mm
- H2 MountingHole illuminated\_blank\_10hp:M3-slot-5mm
- H3 MountingHole illuminated\_blank\_10hp:M3-slot-5mm
- H4 MountingHole illuminated\_blank\_10hp:M3-slot-5mm

info@threetom.com		
<b>Threetom modular synthesizers</b>		
Sheet: /		
File: illuminated_blank_10hp.sch		
<b>Title: Threetom "Technomancer" illuminated 10hp blind plate</b>		
Size: A4	Date:	Rev:
KiCad E.D.A. kicad (5.1.4)-1		Id: 1/1